



**High Density Sliding Floor Track System**



High Density Sliding Track System offers a unique way to maximize and efficiently move wire shelving systems. The patented design allows for quick and easy installation. Bearings in the skate are located under each post for a load capacity of 1,500 lb. per shelving unit. The v-groove floor track allows the shelving unit to slide back and forth with ease. Layout assistance is available.

**PERFORMANCE FEATURES AND BENEFITS**

- Low shipping cost
- NSF approved
- Uses industrial bearings
- Corrosion free construction
- Easy to roll construction
- Fast installation
- Utilizes the structure of existing shelving
- Complies with ADA regulations
- 1,500 lb. load capacity per unit
- Can increase storage areas up to 150%



**SYSTEMS SLIDE BACK AND FORTH WITH EASE**

**QESTP**

**End Stop Kit**

Includes 2 ends and 1 drill bit. Serves the dual purpose of stopping a skate and is the anchor for the track. Manufactured from shock absorbing polymer. One kit is required per track.

**QVTRK**

**V-Groove Track**

Aluminum design with 304 stainless steel inserts with a gradual taper, non-tripping hazard, 7/16" max height. (Sold by the inch)

**HD18 - HD36**

**One Skate**

Aluminum with engineered plastic wheel housing and industrial 2,000 lb. bearings on each end.

**WK**

**Wing Kit**

Includes four 1/4" thick aluminum plates and hardware and allows for the joining of 2 units side by side, sharing one track.

**SK**

**Shim Kit**

48"L thick aluminum strips which can be placed underneath track to help create a level surface. (6 per kit)

| MODEL NO.                    | DESCRIPTION             | SHIP WGT |
|------------------------------|-------------------------|----------|
| <b>Sliding Track Skates</b>  |                         |          |
| HD18                         | One 18" Skate           | 4 lbs    |
| HD21                         | One 21" Skate           | 5 lbs    |
| HD24                         | One 24" Skate           | 6 lbs    |
| HD30                         | One 30" Skate           | 7 lbs    |
| HD36                         | One 36" Skate           | 8 lbs    |
| <b>Additional Components</b> |                         |          |
| QESTP                        | End Stop Kit            | 1 lb     |
| QVTRK                        | V-Track (Sold per inch) | 1 lb     |
| WK                           | Wing Kit                | 2 lbs    |
| SK*                          | Shim Kit                | 3 lbs    |

\*Shim kit comes with (6) 2" x 48" x 1/16" thick aluminum strips which can be placed underneath track to help create a level surface

**STEP BY STEP ORDERING INSTRUCTIONS:**

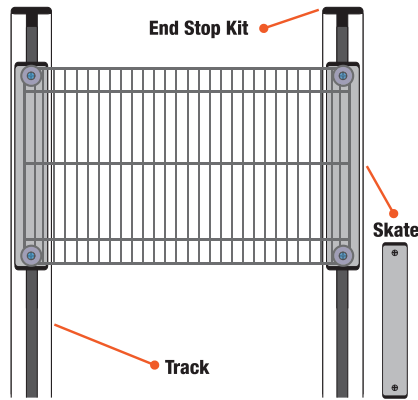
(Note: Shelves and posts to be purchased separately on pgs. 98-99)

- Step 1.** Select desired length (in inches) of track. Use QVTRK to order track. (Note: single units require two tracks and double units will require three tracks)
- Step 2.** Select corresponding skate size from the chart, which will be the same as the depth of shelving unit to be utilized. Two skates required per single unit and three skates required per double unit. (Note: post height should not exceed a 4 to 1 ratio of skate size)
- Step 3.** Purchase one End Stop Kit QESTP per track length. For each double unit being used, a Wing Kit WK is required.



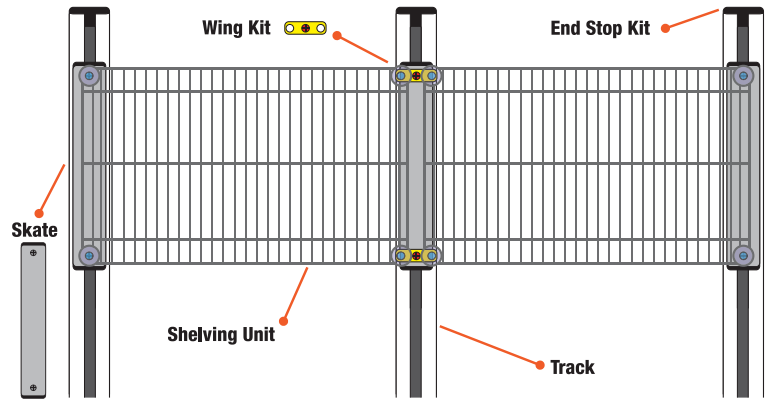
SINGLE UNIT TRACK SYSTEM

(Top View)



DOUBLE UNIT TRACK SYSTEM

(Top View)



Single Unit Floor Track Assemblies



Assembly kit consists of a pair of aluminum tracks with end stop kits. Hardware and assembly instructions included. (Note: custom lengths may be purchased, see pg. 142)

Table with 4 columns: MODEL NO., TRACK L' (FT), TRACK L' (IN), SHIP WGT. Lists various single unit floor track assembly kits with their specifications.

1,500 lb. SLIDE LOAD CAPACITY PER SHELVING UNIT

STEP BY STEP ORDERING INSTRUCTIONS:

- 1. Select desired length of track and if you require:
- Single Unit track (use charts on left)
- Double Unit track (use charts on right)
2. Select corresponding skate size from single or double unit charts below. Skate size should match the depth of shelving unit being utilized.
3. Using the chart on the bottom of this page, determine how many shelving units will fit on your track.
4. Pre-configured 4 and 5 shelf wire units are available on pgs. 100-103. Additional intermediate shelves are available on pg. 98.

Double Unit Floor Track Assemblies



Each assembly kit consists of three aluminum tracks with end stop kits. Hardware and assembly instructions included. (Note: custom lengths may be purchased, see pg. 142)

Table with 4 columns: MODEL NO., TRACK L' (FT), TRACK L' (IN), SHIP WGT. Lists various double unit floor track assembly kits with their specifications.

Single Unit Skate Assembly Kits



Each kit includes two skates and all appropriate hardware. One kit is required for each single mobile unit. (Shelves and posts sold separately on pgs. 98 & 99)

Table with 3 columns: MODEL NO., DESCRIPTION, SHIP WGT. Lists single unit skate assembly kits.

Double Unit Skate Assembly Kits



Each kit includes three skates and all appropriate hardware. One kit is required for each double mobile unit. (Shelves and posts sold separately on pgs. 98 & 99)

Table with 3 columns: MODEL NO., DESCRIPTION, SHIP WGT. Lists double unit skate assembly kits.

QUANTITY OF SHELVING UNITS BY WIDTH TO FIT ON LENGTH OF TRACK\*

Grid table showing the quantity of shelving units that can fit on a track of a specific length (6' to 20') for different track widths (18", 21", 24", 30", 36").

\*Using a minimum 36" aisle space Note: Post height should not exceed the skate length by a 4 to 1 ration (example 18" skate should not exceed a 74" post)