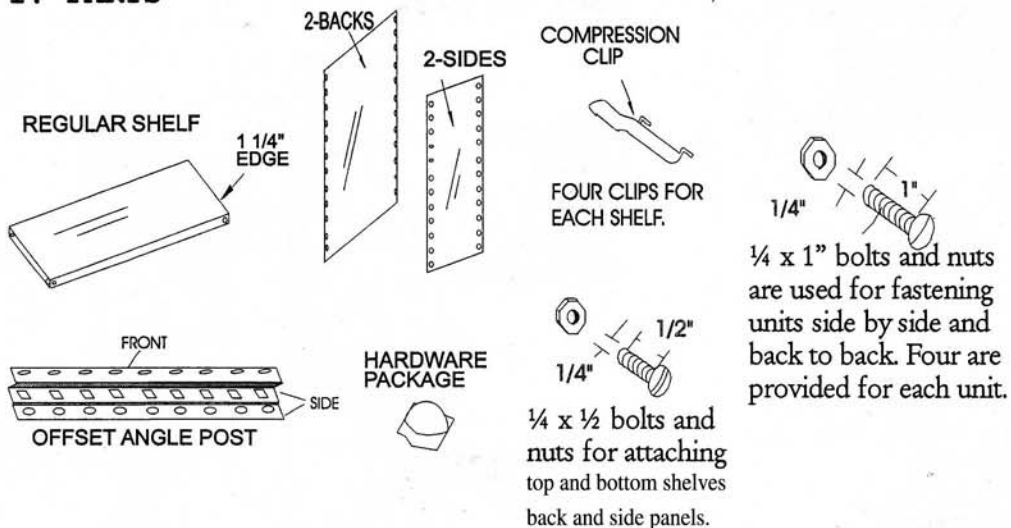


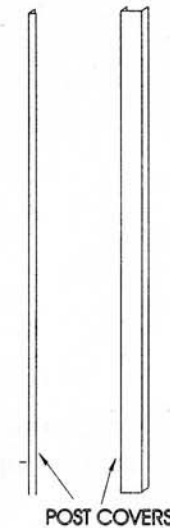
# CLIP TYPE CLOSED SHELVING

## ASSEMBLY INSTRUCTIONS

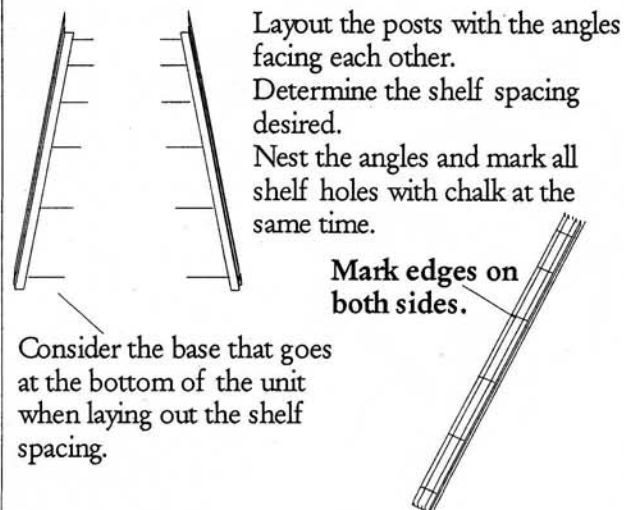
### 1. PARTS



### OPTIONAL PARTS

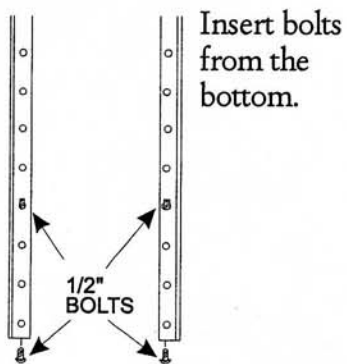


### 2. MARK OFFSET POSTS



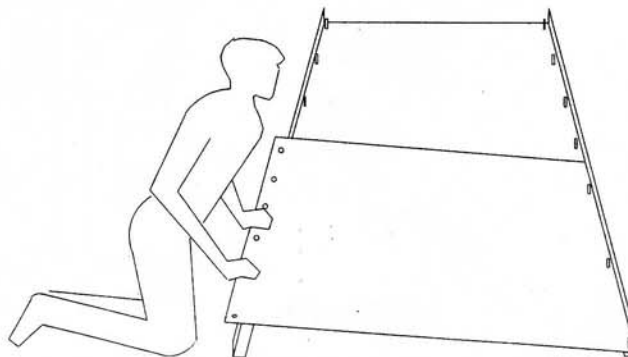
### 3. INSERT BOLTS

Insert bolts on marked centers.  
Insert only two bolts per shelf at this.



### 4. INSTALL BACKS

Place the backs between the angles with the bolts through the holes in the back.  
Overlap 3 inches in the center and be flush with the post ends at top and tighten nuts finger.



### 5. INSTALL SHELVING

Insert bottom of clip first.

Clips fit in the square holes in the post.  
Use four clips per shelf.

Install four clips at desired shelf height.  
Place each shelf on clips and tap down to seat.

