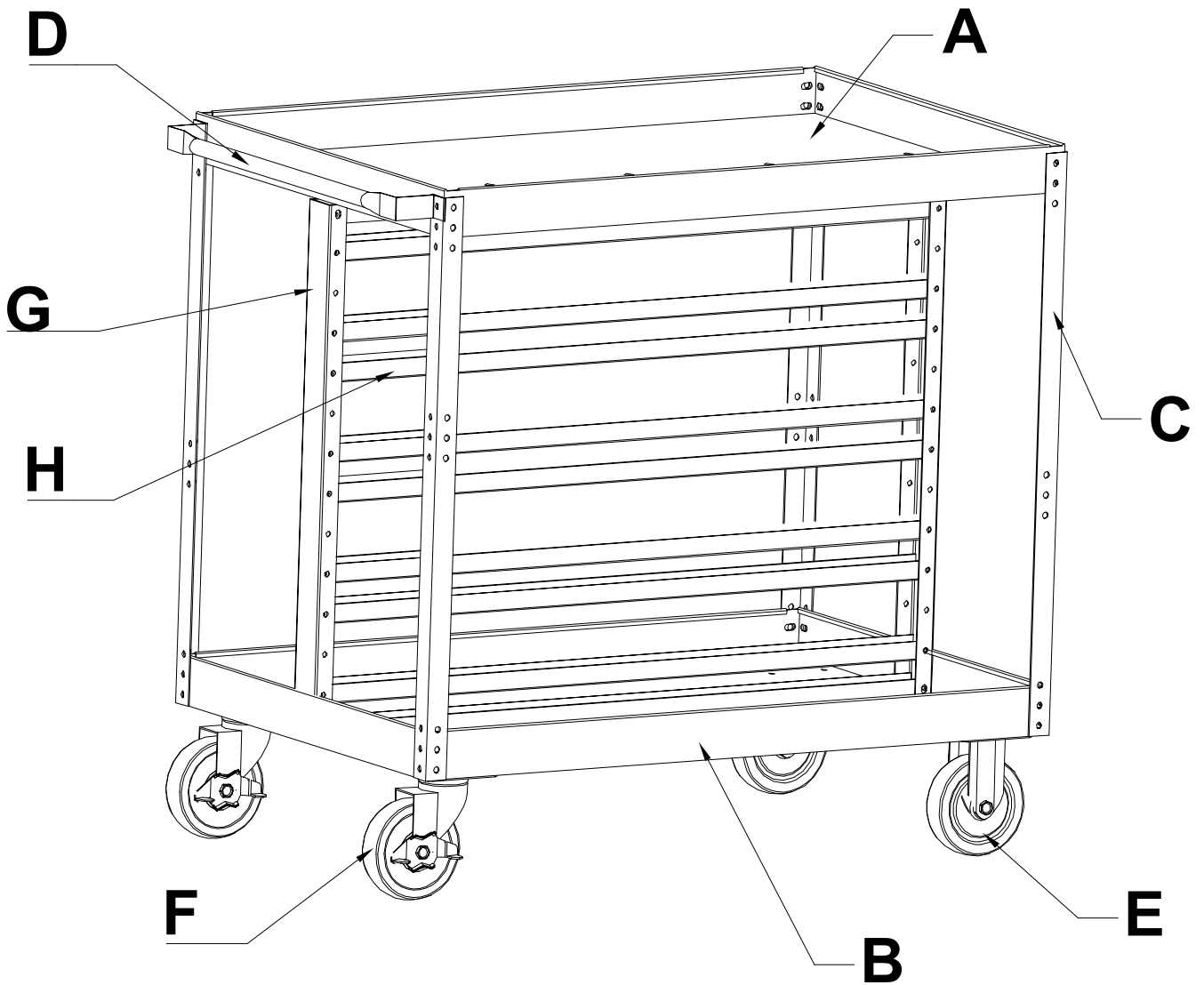


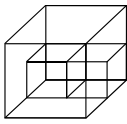
**QUANTUM<sup>®</sup>  
STORAGE  
SYSTEMS**

**1-800-685-4665**

[www.quantumstorage.com](http://www.quantumstorage.com)

# **QRC-4D Mobile Ergonomic Cart Assembly Instructions**

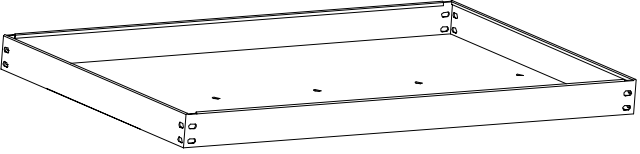
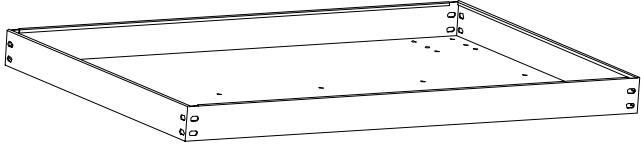
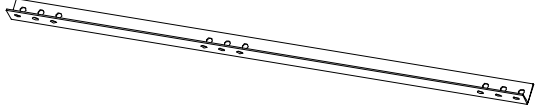
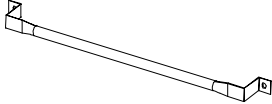
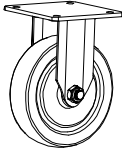
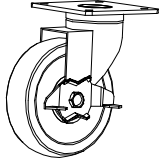
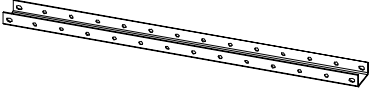
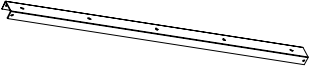





**QUANTUM<sup>®</sup>  
STORAGE  
SYSTEMS**

1-800-685-4665

www.quantumstorage.com

<b>A</b>	Quantity	Upper Tray (Plain)	
	<b>1</b>		
<b>B</b>	Quantity	Lower Tray (Punched for casters)	
	<b>1</b>		
<b>C</b>	Quantity	Posts	
	<b>4</b>		
<b>D</b>	Quantity	Handle	
	<b>1</b>		
<b>E</b>	Quantity	Rigid Casters	
	<b>2</b>		
<b>F</b>	Quantity	Swivel Casters	
	<b>2</b>		
<b>G</b>	Quantity	Vertical Rails	
	<b>2</b>		
<b>H1</b>	Quantity	Horizontal Beams (5 holes on the top plane)	
	<b>2</b>		
<b>H2</b>	Quantity	Horizontal Beams	
	<b>8</b>		

Hardware:

**HW1** 40pcs

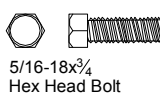
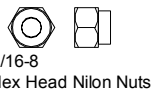
**HW2** 16pcs

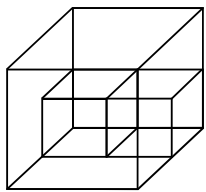
**HW3** 16pcs

**HW4** 16pcs

**HW5** 45pcs

**HW6** 45pcs



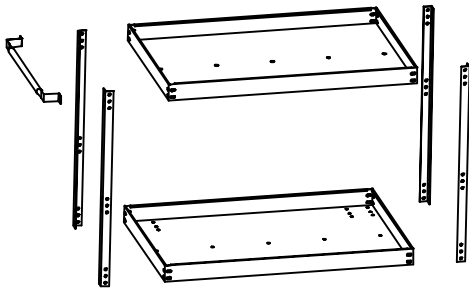


# QUANTUM<sup>®</sup> STORAGE SYSTEMS

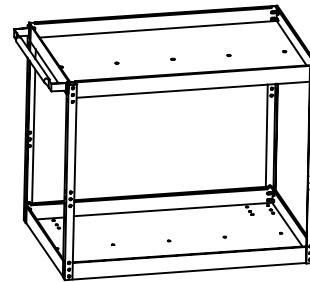
1-800-685-4665

www.quantumstorage.com

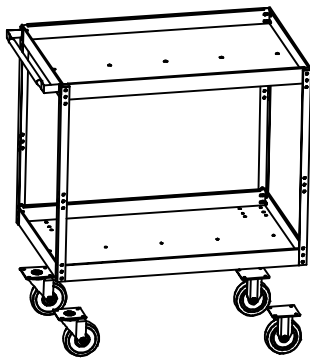
1. Bolt Lower Tray (B) to 4 Posts (C).  
Hardware: 16pcs HW5 and 16pcs HW6



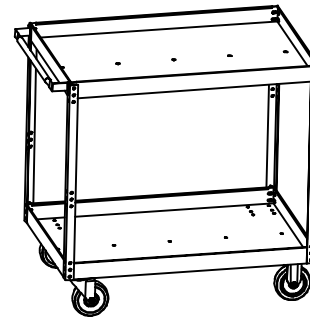
2. Bolt Upper Tray (A) and Hadel (D)  
to 4 Posts (C).  
Hardware: 18pcs HW5 and 18pcs HW6.



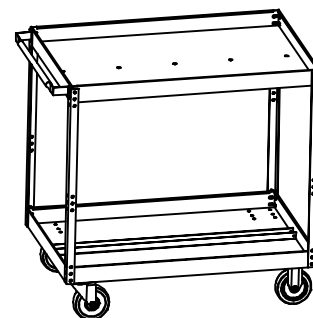
3. Bolt Casters (E,F) through holes  
in Lower Tray (B).  
Hardware: 16sets of HW2, HW3 and HW4

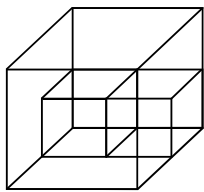


4. Check for squareness and tighten  
all nuts and bolts.



5. Bolt Horizontal Beam (H) to Lower Tray (B).  
Hardware: 5pcs HW5 and 5pcs HW6



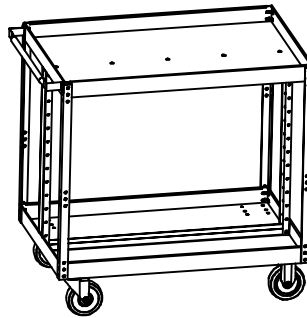
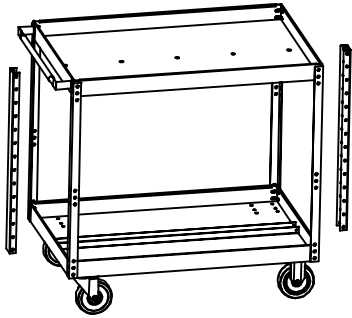


**QUANTUM<sup>®</sup>  
STORAGE  
SYSTEMS**

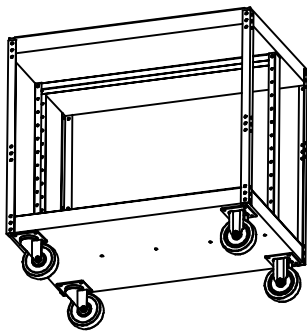
**1-800-685-4665**

[www.quantumstorage.com](http://www.quantumstorage.com)

6. Bolt Vertical Rails (G) to Lower Horizontal Beam (H).  
Hardware: 4pcs HW1



7. Bolt Horizontal Beam (H) to Upper Tray (A)  
(insert bolt down) and Vertical Rails (G).  
Hardware: 5pcs HW5 and 5pcs HW6;  
4pcs HW1.



10. Ensure all hardware is tight and  
insert bins.

8. Place remaining Horizontal Beams (H)  
inside Vertical Rails (G) and stage parts  
at bottom of unit.

9. Bolt remaining Horizontal Beams (H) in  
place, starting at top and working down.  
Hardware: 32pcs HW1

