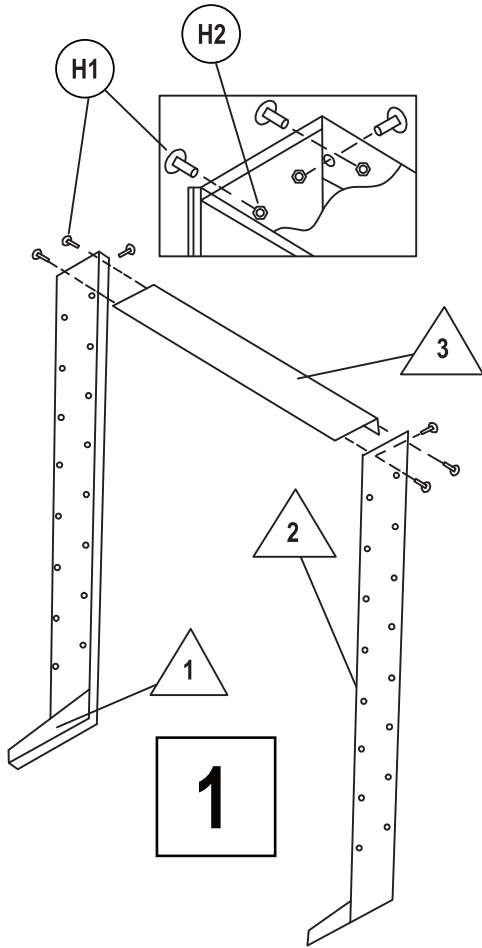


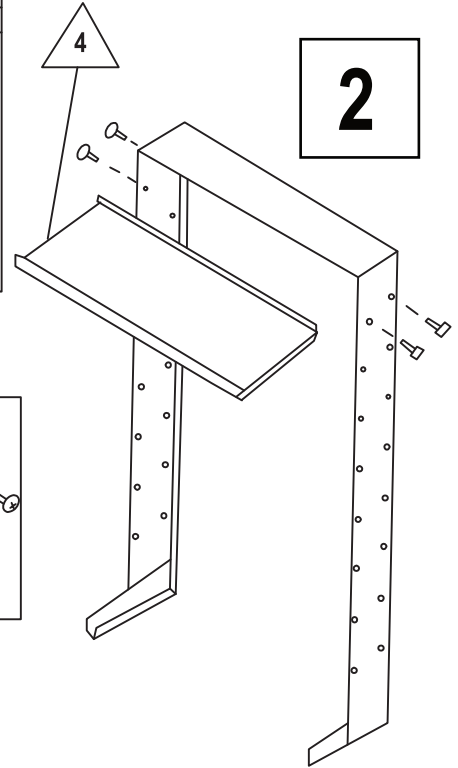
STEEL PICK RACK SINGLE SIDED FLOOR RACK

ASSEMBLY INSTRUCTIONS

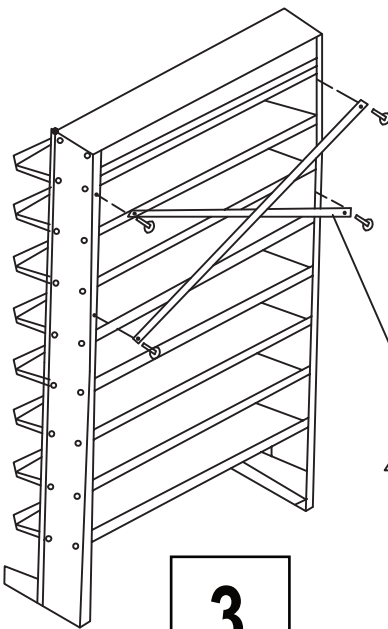
CONTENTS		
REF.	QTY.	DESCRIPTION
1	1	-- LEFT LEG
2	1	-- RIGHT LEG
3	1	-- TOP
4	8	-- SHELF
5	2	-- SUPPORT BRACKE
H1	48	
H2	48	



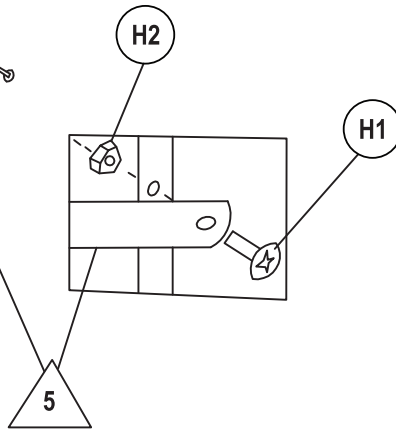
1



2



3



4

