



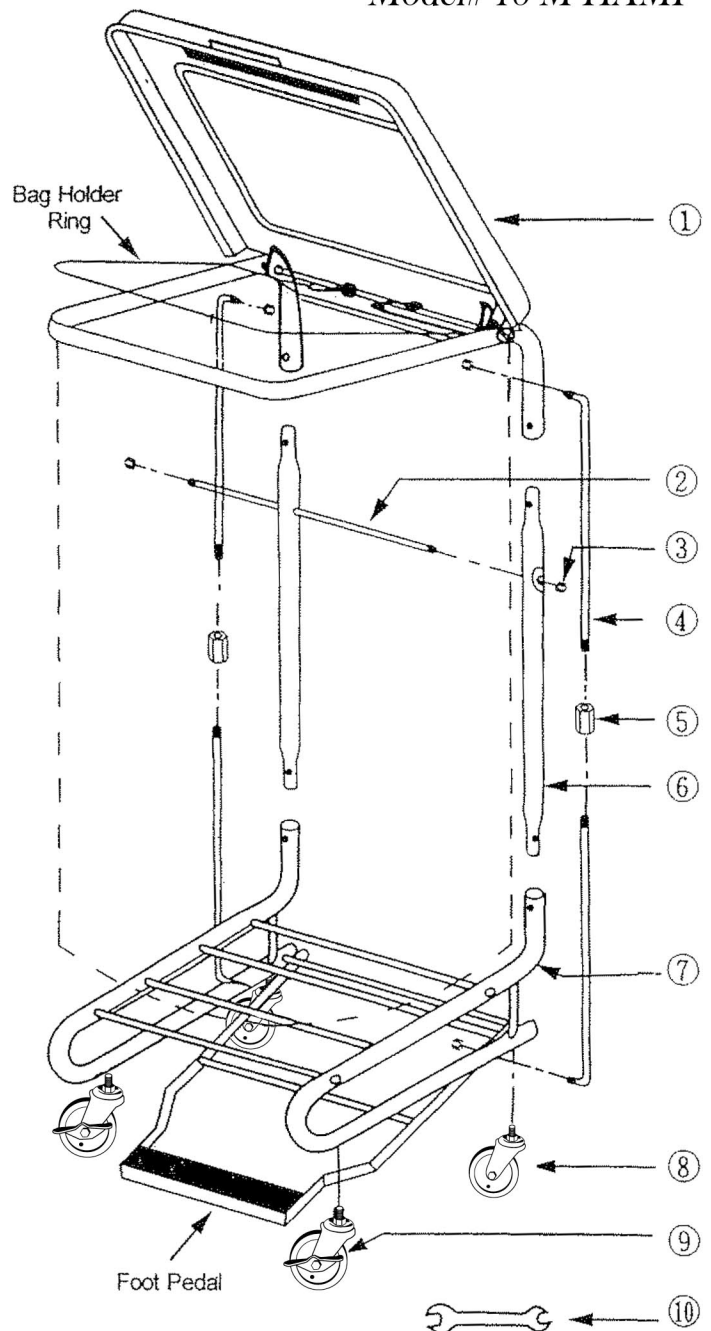
15800 NW 15th Avenue, Miami, FL 33169
TOLL-FREE: (877) QHC-BINS / (877) 742-2467
FAX: (877) 742-2497 **E-MAIL:** sales@qhcdirect.com
www.qhcdirect.com

Model# 18-M-HAMP

HAMPER STAND WITH FOOT PEDAL ACTIVATED LID

Your carton should contain the following items.

NO.	DESCRIPTION	QTY
①	Lid	1
②	Tie Rod	1
③	10mm Nut	6
④	Connecting Rod	4
⑤	Adjusting Nut	2
⑥	Uprights	2
⑦	Base	1
⑧	Caster	2
⑨	Locking Caster	2
⑩	Wrench 10×14mm	1



Listed below are your easy to follow assembly instructions:

- A. Attach Casters ⑨ and ⑧ to the Base with Lock Washers provided. Make sure Locking Casters ⑨ are placed in the front.
- B. Insert Uprights ⑥ into Base ends ⑦ (allow push buttons to snap into position).
- C. Insert Tie Rod ② into holes in Uprights ⑥ and attach with 10mm Nuts ③.
- D. Attach Lid ① to upper ends of Uprights ⑥ (allow push buttons to snap into position).
- E. Attach Connecting Rods ④ with Adjusting Nuts ⑤. Attach Connecting Rods ④ to lid and foot pedal at both sides of hamper with 10mm Nuts ③ provided. Connecting Rods ends should face toward inside of stand.