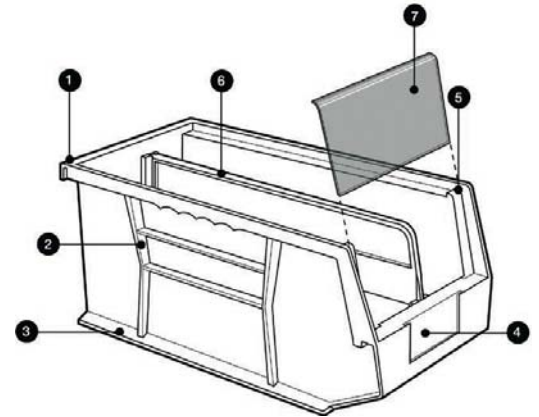


Ultra Stack and Hang Bins



PERFORMANCE FEATURES:

- Available in 19 sizes
- Standard colors: Blue, Green, Ivory, Red, Yellow, Black and Clear
Pink color is available in select sizes
(additional colors available on request, subject to up charge and minimum runs)
- Bins are made from heavy-duty, virgin, high density FDA approved polypropylene
- Large label slot provide easy label insertion and parts identification
- Extra wide stacking ledge assures stability for high stacking
- Reinforced design adds strength and prevents spreading
- Will not rust or corrode, unaffected by weak acids and alkalis, and are waterproof
- Autoclavable up to 250°F
- Interchangeable with other manufactured brands of bins

- 1 Full width hanger supports bin when hanging from louvered panels or rails
- 2 Reinforced rib design adds strength and prevents spreading
- 3 Extra-wide stacking ledge for secure stacking
- 4 Large front label slot allows larger bar code scanning and content identification
- 5 Anti-slide stop prevents stacked bins from shifting forward
- 6 Optional dividers increase storage options
- 7 Optional windows maximize storage capacity, prevent spillage and protect parts from dust and dirt



NEW
Shown with optional clear lid
Lid pivots up and down via insertion
in holes in rear of bin
(Sold separately)



Shown with optional
window front and divider
(Sold separately)



CLEAR LABEL HOLDER
Clear label holders and laser
label inserts slide into front
label slot of all bins.
Package of 25.



MOBILE ULTRA BIN
Ideal for transport of heavy
and bulky parts
Bin comes with 4 swivel,
3" casters, all with brakes,
allowing up to 250 lb.
mobile load capacity



POLYMER MOBILE DOLLY
DLY-3018 Dolly with Padded Rubber Trim,
available in Blue. 1,000 lb. capacity.
Dimensions 30"L x 18"W
(Bin sold separately)



ATTACHED PULL RING
Allows dolly to be pulled
with ease



32" Dolly Pull Rod with handle

MODEL NO.	DESCRIPTION	CTN WGT
DLY-3018	Dolly with Padded Rubber Trim	19 lbs
HANDLE-DLY	32" Dolly Pull Rod with Handle	2 lbs

Bins sold separately.